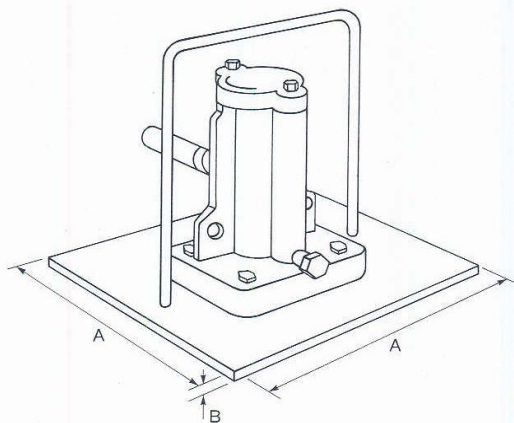
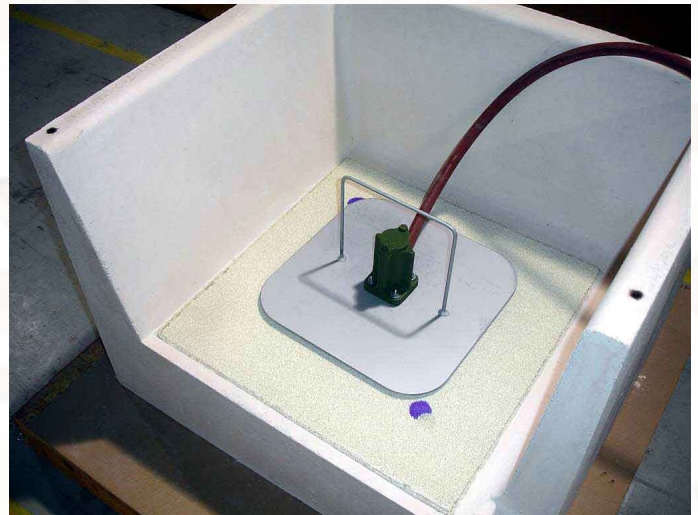


SELEE® Vibrators for Ceramic Foam Filters

Depending on the size of filter used, a quantity of metal ranging from 5 to 35 Kg (10 to 80 Lbs) is retained in the used filter at the completion of a cast. Some find it advantageous to recover much of this metal by using the SELEE® air vibrator and steel plate atop the filter at the end of the drop.

Two different sizes are available—one for 12” filters and smaller. The other for 15” filters and larger. All vibrators operate from standard shop air supply (0.4 megapascal/60 psig).

Only use vibrators on SELEE® CS-X™ or sintered alumina filters. Avoid use on phosphate-bonded alumina (PBA) filters.



Filter Size	9" x 9" and 12" x 12"	15" x 15" and Larger
Product Code No.	ACMS8912	ACMS8915
A inches (mm)	8-1/2" (216)	14" (356)
B inches (mm)	1/4" (6)	1/4" (6)
Approximate Weight Lbs (Kg)	12 (5)	20 (9)

LEADING THE WORLD IN MELT FILTRATION TECHNOLOGY

SELEE® Corporation
700 Shepherd Street
Hendersonville, NC 28792, USA

+1.828.697.2411 (Main)
+1.828.694.3450 (Sales)
+1.800.438.7274 (Toll-Free)
customerservice@selee.com
www.selee.com